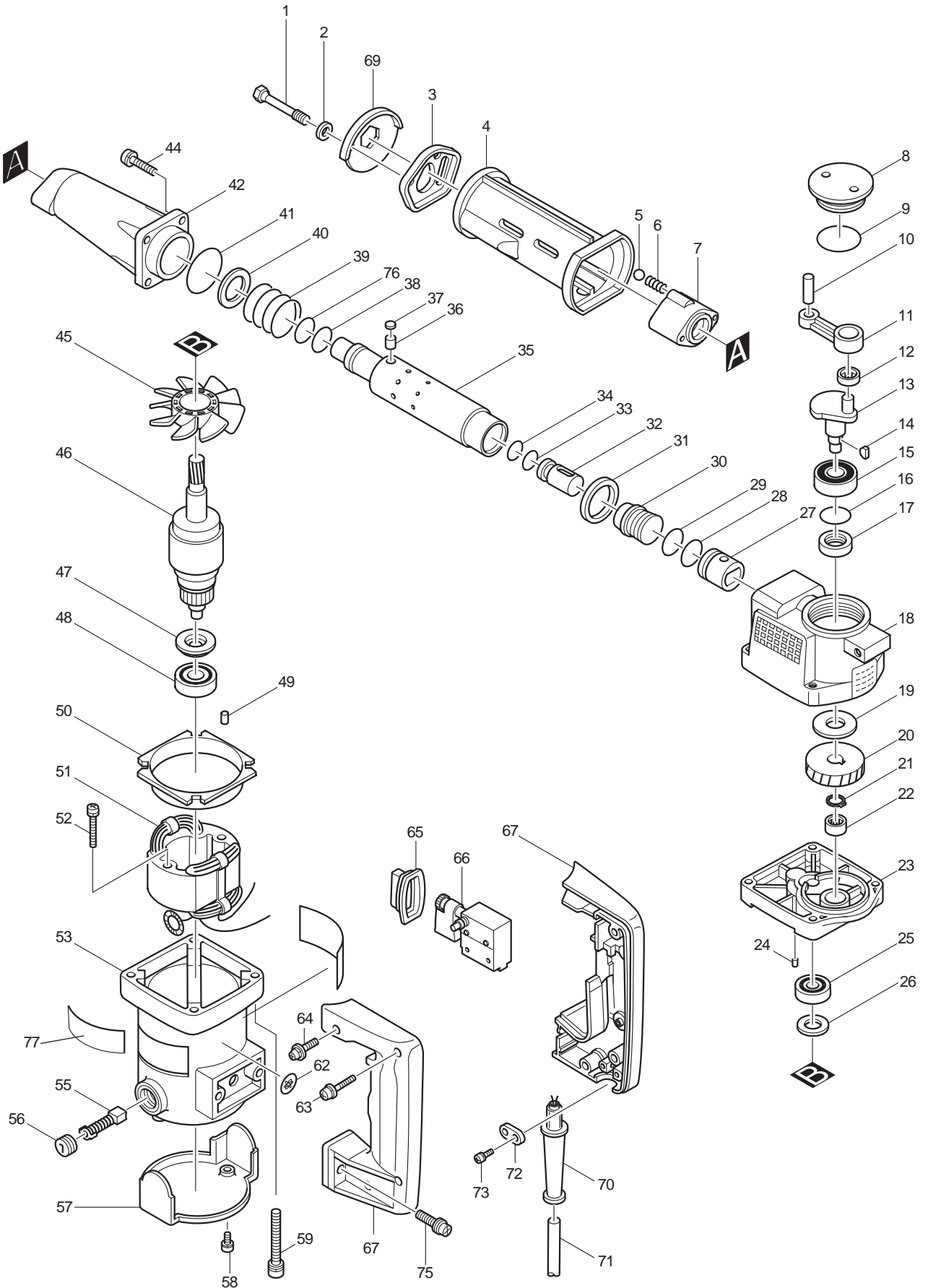




02 - 2010  
HK1810  
POWER SCRAPER



Item No.	Type	Sub	Part No.	Description (*see Service changes on the bottom)	Qty	Unit
1			265393-4	* HEX. BOLT M6X49	2	PC.
2			267017-8	FLAT WASHER 8	2	PC.
3			342910-8	TOOL RETAINER	1	PC.
4			414175-3	* BARREL COVER	1	PC.
5			216011-7	STEEL BALL 5.6	1	PC.
6			231403-9	COMPRESSION SPRING 3	1	PC.
7			321859-5	TOOL HOLDER	1	PC.
8			410734-1	CRANK CAP	1	PC.
9			213554-0	O RING 44	1	PC.
10			256099-5	PIN 6	1	PC.
11			315146-2	ROD	1	PC.
12			212017-3	NEEDLE BEARING 810 (OLD# 212025-4)	1	PC.
13			321855-3	CRANK SHAFT	1	PC.
14			254031-3	WOODRUFF KEY 3	1	PC.
15			211232-6	BALL BEARING 6002LLU (OLD# 211201-7)	1	PC.
16			213459-4	O RING 32	1	PC.
17			213219-4	OIL SEAL 15	1	PC.
18			159532-5	CRANK HOUSING (OLD# 157807-6)	1	PC.
		INC.	911111-5	PAN HEAD SCREW M4X10	2	PC.
		INC.		Item No. 16		
19			253887-1	FLAT WASHER 15	1	PC.
20			221745-9	HELICAL GEAR 36	1	PC.
21			961052-5	RETAINING RING S-12	1	PC.
22			212052-1	NEEDLE BEARING 1010	1	PC.
23			157782-6	GEAR HOUSING	1	PC.
		INC.		Item No. 24		
24			263005-3	RUBBER PIN 6	1	PC.
25			211101-1	BALL BEARING 6001LLB	1	PC.
26			253748-5	FLAT WASHER 12	1	PC.
27			321685-2	PISTON	1	PC.
28			213308-5	O RING 19	1	PC.
29			213308-5	O RING 19	1	PC.
30			321854-5	STRIKER	1	PC.
31			257117-2	RING 28	1	PC.
32		1	321856-1	IMPACT BOLT - N/L/A	1	PC.
		2	324680-1	IMPACT BOLT	1	PC.
33			213111-4	O RING 12	1	PC.
34			213111-4	O RING 12	1	PC.
35			321857-9	CYLINDER LINER 24	1	PC.
36			256156-9	PIN 6	2	PC.
37			423122-3	CUSHION PLATE	2	PC.
38			213309-3	O RING 19	1	PC.
39			231395-2	COMPRESSION SPRING 24	1	PC.
40			267026-7	FLAT WASHER 25	1	PC.
41			213512-6	O RING 39	1	PC.
42			315838-3	* BARREL	1	PC.
43			942151-2	SPRING WASHER 6 (OLD)	4	PC.
44			922341-3	HEX. SOCKET HEAD BOLT M6X25	4	PC.
45			241820-5	FAN 67	1	PC.
46			512851-4	ARMATURE ASS'Y 115V	1	PC.
		INC.		Item No. 25,26,45,47,48		
47			681625-5	INSULATION WASHER	1	PC.
48			211033-2	BALL BEARING 608LB	1	PC.
49			263014-2	RUBBER PIN 4	1	PC.
50			410578-9	BAFFLE PLATE	1	PC.
51			522651-4	FIELD ASS'Y 115V	1	PC.
		INC.	654019-7	RING TERMINAL	2	PC.
		INC.	654501-6	CONNECTOR P-1.25	2	PC.

Item No.	Type	Sub	Part No.	Description (*see Service changes on the bottom)	Qty	Unit
52			911265-8	PAN HEAD SCREW M5X40	2	PC.
53			157553-1	MOTOR HOUSING	1	PC.
		INC.	643603-3	BRUSH HOLDER 6-10	2	PC.
		INC.		Item No. 49		
55	1		181038-5	A.C. CARBON BRUSH CB-105 2PC/SET (W/O ORIGIN)	1	SET
	2		194975-4	A.C. CARBON BRUSH CB-105 2PC/SET (W/ ORIGIN)	1	SET
56			643600-9	BRUSH HOLDER CAP 6-10	2	PC.
57			343390-1	REAR COVER	1	PC.
58			911211-1	PAN HEAD SCREW M5X12	2	PC.
59			266252-5	HEX. SOCKET HEAD BOLT M6X45	4	PC.
61			941152-7	FLAT WASHER 6	4	PC.
63			911243-8	PAN HEAD SCREW M5X25	3	PC.
64			911328-0	PAN HEAD SCREW M6X18	2	PC.
65			421145-5	DUST COVER	1	PC.
66	1		651345-5	SWITCH 8907K363	1	PC.
	2		651257-2	SWITCH SGE108CV-1A	1	PC.
67			181562-8	HANDLE SET	1	SET
69			421336-8	* DUST COVER	1	PC.
70			682567-6	CORD GUARD 8 (OLD# 682503-2)	1	PC.
71			660023-6	CORD W/PLUG 2P-18-5.0M, SJ	1	PC.
72			687002-9	STRAIN RELIEF	1	PC.
73	1		911131-9	PAN HEAD SCREW M4X18	2	PC.
	2		911133-5	PAN HEAD SCREW M4X18	2	PC.
75			911343-4	PAN HEAD SCREW M6X25	2	PC.
76			213309-3	O RING 19	1	PC.
77			819063-3	MAKITA LABEL (Added)	1	PC.

#### **ACCESSORIES**

A01			783203-8	HEX WRENCH 5	1	PC.
A02	1		798264-5	SCALING CHISEL 50-150	1	PC.
	2		B-07347	SCALING CHISEL 50-150	1	PC.
A03	1		798265-3	SCALING CHISEL 30-150	1	PC.
	2		B-07331	SCALING CHISEL 30-150	1	PC.
A04	1		798266-1	BULL POINT 13-220	1	PC.
	2		B-06921	BULL POINT 12-220	1	PC.
A05			798277-6	GROOVING CHISEL 8-170	1	PC.
	1		798276-8	GROOVING CHISEL 12-170	1	PC.
	2		A-21559	GROOVING CHISEL 12-170	1	PC.
			798297-0	GROOVING CHISEL 20-170	1	PC.
A06			150640-5	PLASTIC CARRYING CASE	1	PC.
		INC.	186347-7	SLIDE LATCH SET	1	SET
		INC.	417059-4	LATCH	2	PC.
A07			782402-9	LOCK NUT WRENCH 28	1	PC.
A08			A-90582	HAMMER GREASE 30CC(1 OZ)	1	PC.
A09			423154-0	DUST COVER (For Scaling Chisel)	1	PC.

**SERVICE CHANGES**

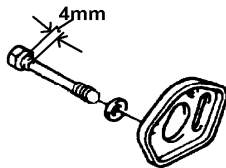
**1. Changes on Addition of Dust Cover and Change of Hex Bolt**

Item No.	Description	Type 1	Type 2	Type 3	Type 4
1	Hex Bolt	265307-3 (M6X46 - N/L/A)	265337-4 (M6X46 - N/L/A)	265390-0 (M6X46 - N/L/A)	265393-4 (M6X49)
69	Dust Cover	-----	421336-8		
	Serial No.	~ 1294E	1295E ~ 4976E	4977E ~ 5568E	5569E ~

Above parts are completely interchangeable as a set.

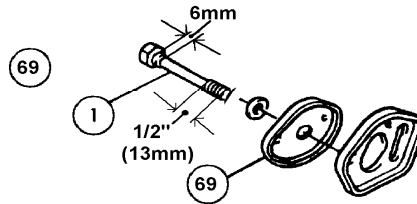
Type3 Hex Bolt can replace Type2 Hex Bolt.

**Type 1**



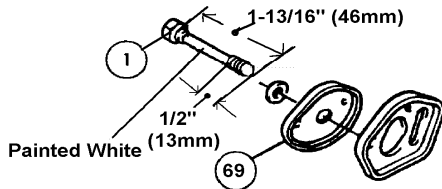
**Type 2**

Hardness : HRC28  
Tightening Torque 32 ~ 64 kg. f.cm

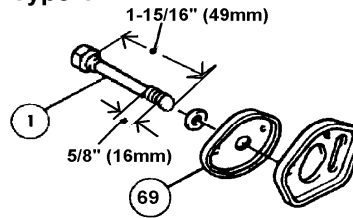


**Type 3**

Hardness: HRC 39  
Tightening Torque 80 ~ 120 kg f.cm



**Type 4**



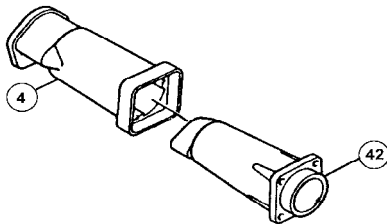
**2. Changes on Barrel Cover**

Item No.	Description	Type 1	Type 2
4	Barrel Cover	410594-1 (N/L/A)	414175-3
42	Barrel	315838-3	
	Serial No.	~ 2238E	2239E ~

Above parts are completely interchangeable as a set.

When using Type1 Barrel into Type2 Barrel Cover, plane off the edges as shown.

**Type 1**



**Type 2**

